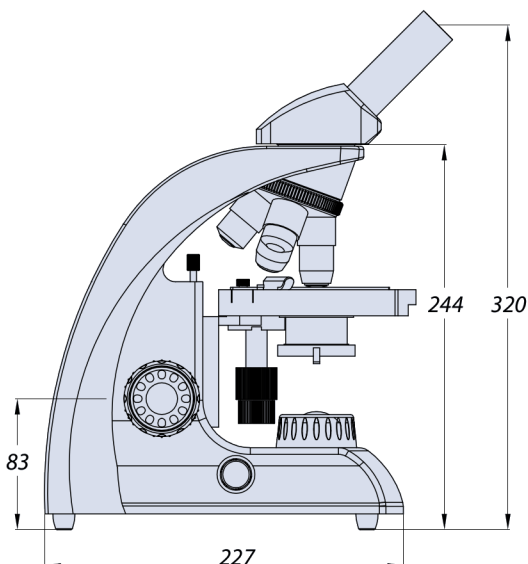


BB.4200 **BioBlue Monocular** Designed for Education

- Secured WF 10X/18mm eyepiece
- 45° Inclined monocular head 360° rotating
- Reversed quadruple nosepiece
- Semi Plan 4X, 10X, S40X objectives
- Coaxial coarse and fine focus
- 120mm x 120mm XY mechanical stage with 23mm of travel
- Height adjustable abbe condenser N.A of 1.25 with iris diaphragm and filter holder
- **Transmitted cordless LED illumination**
- Lightweight, easy to move & store
- Fungus treated
- 5 year warranty

Expanded capability models available
Contact us or see BB.4250 or BB.4260



What's in the box:

- BB.4200 Mono Microscope
- Mains power supply / charger
- 2x Stage slide clamps
- Dust cover
- Polystyrene box