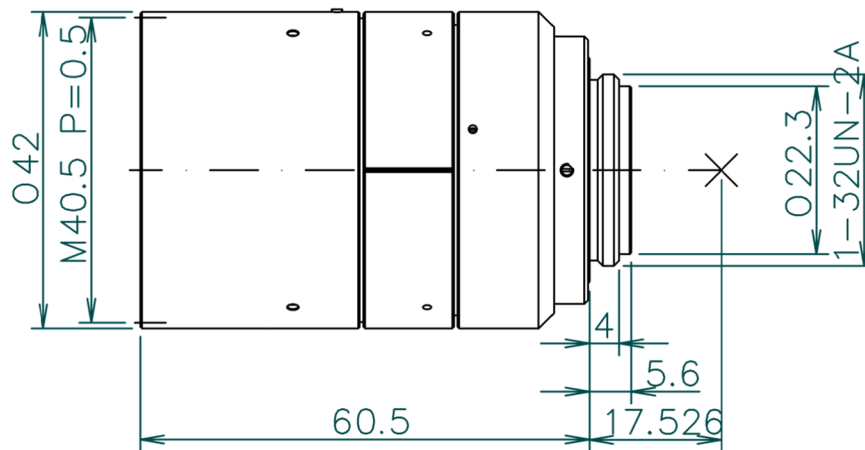


FL-BC1220-9M Product Specifications

Resolution	9 Mega-pixel *1	
Format size	1" format	
Focal length	12mm	
Maximum aperture ratio	1:2.0	
Iris range	2.0~16	
Mount	C	
Horizontal angle of view	1/3" format	22.7°
	1/2" format	30.0°
	1/1.8" format	33.6°
	2/3" format	40.6°
	1" format	57.0°
Minimum object distance	0.08m	
Back focal length	14.1mm	
Filter size	40.5 P=0.5mm	
Dimensions	φ42mmx60.5mm	
Weight	156g	
Remarks	Focus & Iris lock screws	

*1 The lens is also suitable to 4 megapixel and 6 megapixel cameras.



bestscientific.co.uk

For more information, contact Best Scientific
 t: +44 (0)1793 812477 | e: enq@bestscientificweb.com