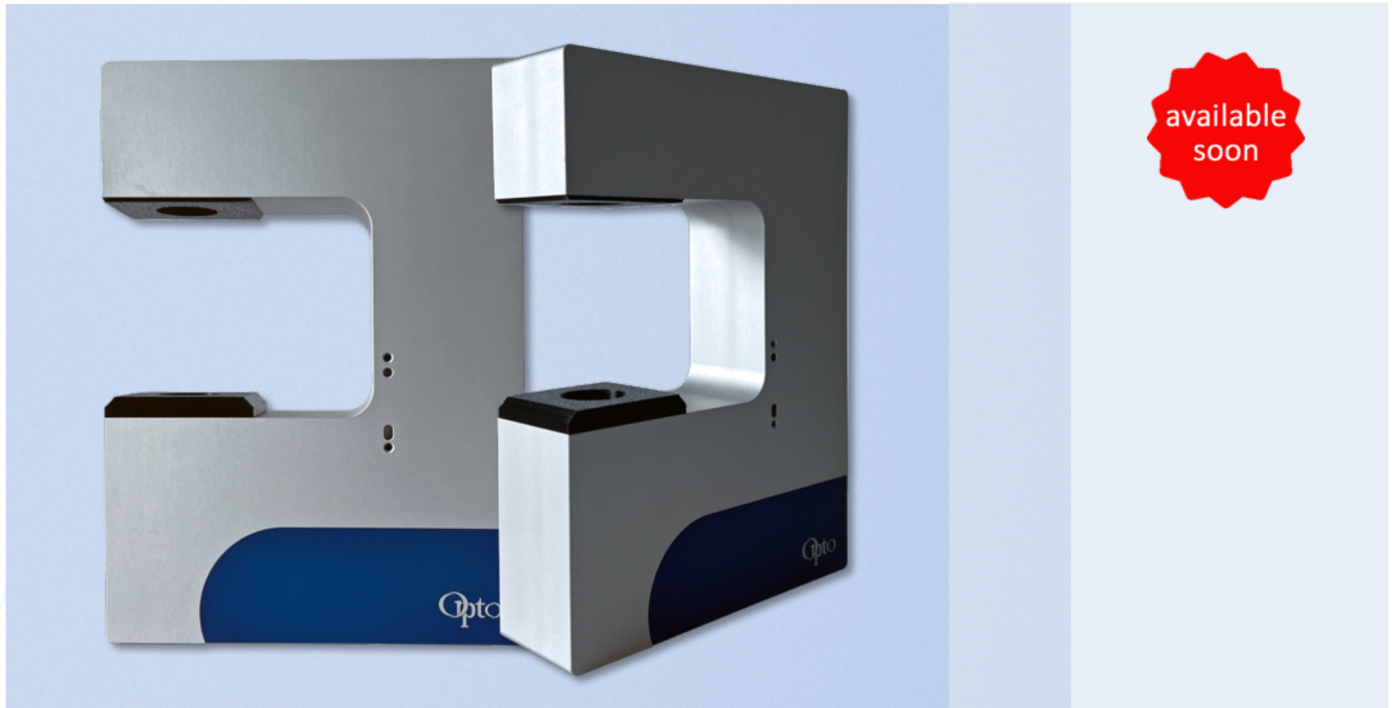




IM•profile M

Telecentric



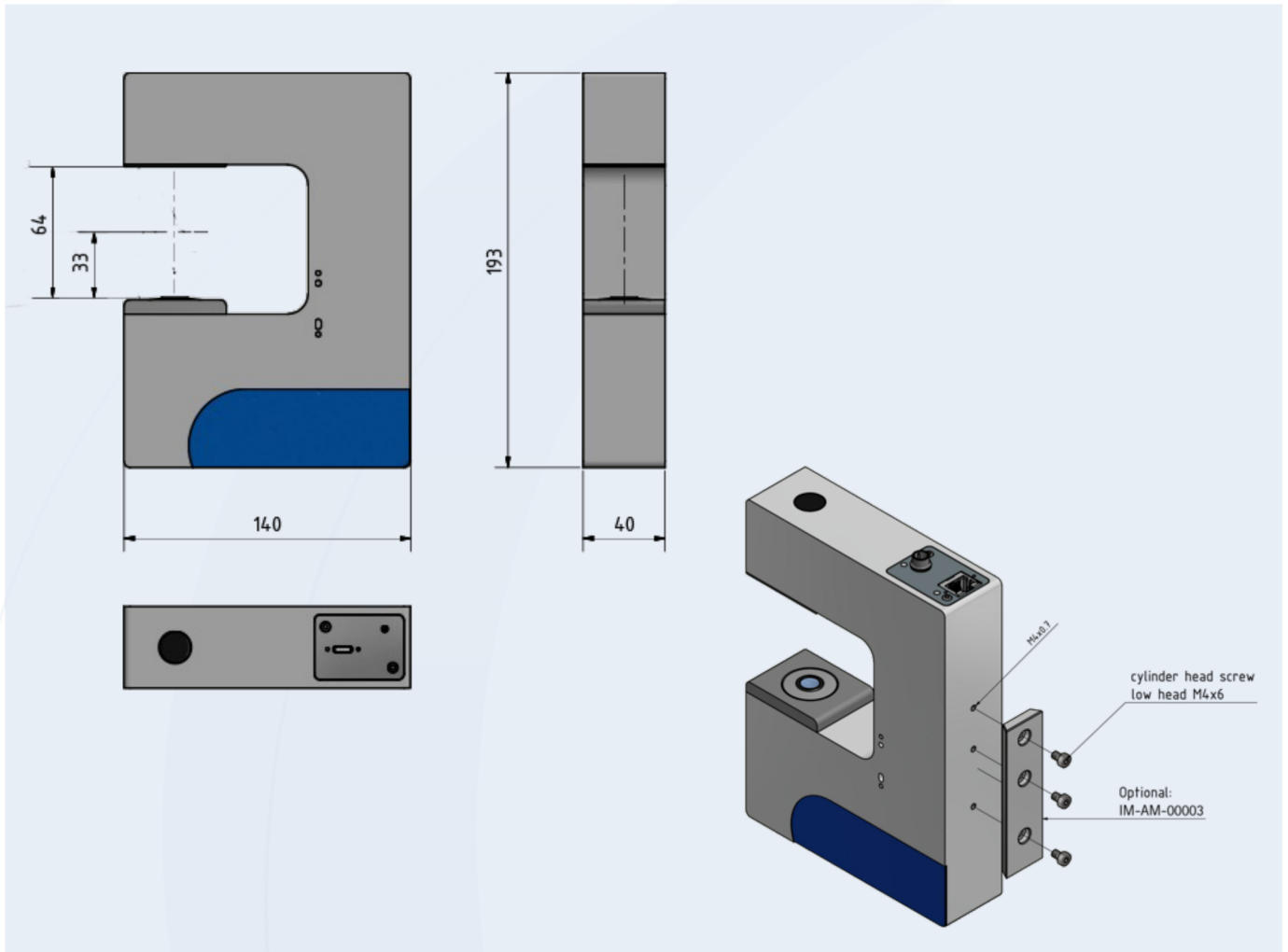
Specification

IM•Artikel / Artikel-Nr.

Function:	Telecentric
Working Distance [mm]:	33
FoV [mm]:	8.5 x 7.1
Resolution [LP/mm]:	140
Object Space Resolution [μm Pixel]:	3.4
Depth of field [mm]:	0.05
Sensor:	IMX264LLR-C 5 MP Monochrome 36 fps
Dimensions [mm]:	W140 x L193 x H40
Weight [g]:	1400
Interface:	USB3.1 Gen 1 Type C
Illumination:	Transmitted light
Specification Illumination 1	Transmitted red 632 nm
Measurement & Control Software	OptoViewer 2
CE & RoHS compliant	
WEEE-Reg.-Nr. DE68564667	



Technical Drawing



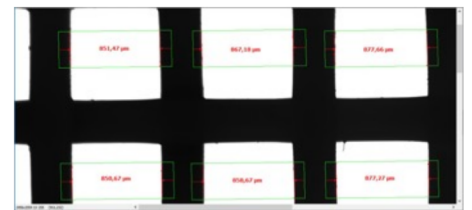
The profile projector works with a telecentric brightfield illumination and a tuned telecentric lens in transmitted light mode.



Original



different tissue sizes



Measurement example